

ELS24B342M84.

PHOTOELECTRIC FORK FOR LABEL

SUPPLIED MATERIAL

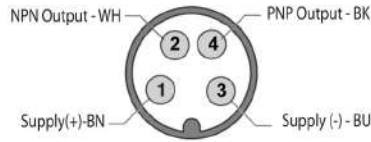
- Installation manual

GENERAL DESCRIPTION

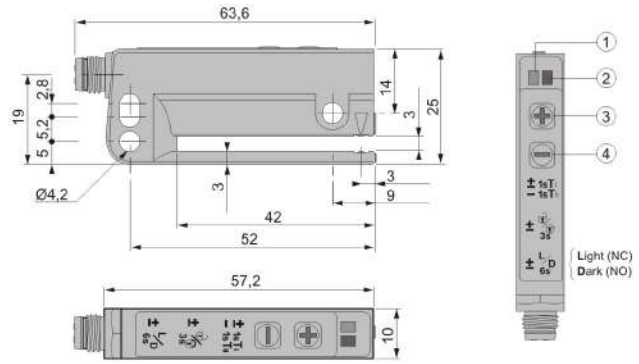
- Optoelectronic fork sensor for opaque material labels with connector M8 4-pole
- Teach-in models with dynamic and remote teach
- Infrared emission
- Small size easy to locate
- NPN and PNP, Lo/Do total configurable
- Width slit detection 3 mm
- Depth slit detection 42 mm
- Maximum switching frequency 10 KHz
- Thermoplastic case, IP65

PLUGS

M8 4 pin - PNP/NPN output



DIMENSIONS

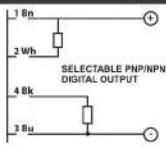


KEY

- 1 Yellow LED, "ON" when the outputs are set to 1 (conducting)
- 2 Red LED: Keyboard blocking and settings
- 3/4 Setting +/- push button

ELECTRICAL DIAGRAMS OF THE CONNECTIONS.

PNP/NPN output selectable



KEY:
BN = brown;
BK = black;
BU = blue;
WH = white

ADJUSTMENT

	Off	On	Blinking	Blinks slowly
1 Dynamic teach	Off	On	Blinking	Blinks slowly
Or external teach		Dynamic teach done	8 Hz 4 Hz	ON/OFF according to the old threshold
2 Or external teach		Dynamic teach done	3 x 1 Hz not enough signal	ON/OFF according to the old threshold
3 Sensitivity adjustment				ON/OFF when threshold is passed upward of downward
Step by step				
Fast Rapid Schnell		It stays ON when the limit threshold is reached	2 s	
4 Locking/Unlocking keyboard				
Locking		Release the buttons	3 s	
Keyboard locked				
Unlocking		Release the buttons	3 s	
Keyboard unlocked				
5 Output signal				OFF (No Label) ON(Label)
Switching NO/NC Function				

TECHNICAL SPECIFICATIONS

Model	ELS24B342M84.
Emission	Infrared LED, modulated
Minimum length of label	2 mm
Minimum distance between 2 label	2 mm
Nominal sensing distance Sn	3 mm
Slot depth detection	42 mm
Slot width detection	3 mm
Maximum flow rate	200 m/min
Detection accuracy	+/- 50 um at 150 m/min
Rated Operational voltage Ue	12 ... 24 Vdc (with protection against reverse polarity)
Max ripple content	10%
No-load supply current	35 mA
Load current	100 mA
Output voltage drop	< 2 V @ IL=100 mA
Switching frequency	10 KHz
Time delay before availability	50 us max
Electrical protection	Inverse-polarity protected Short-circuit output protected
Operating temperature	-20 ... +60 °C
Storage temperature	-30 ... +80 °C
Degree of protection (DIN 40 050)	IP 65
Materials	Thermoplastic case (PA12)
Connector type	M8, 4-pin
Weight	Approx. 35 g

ATTENTION

Make sure that the supply voltage is correctly set with a ripple corresponding to the values indicated on the catalogue. In case the noise produced by the power lines exceeds the values foreseen by the CE norm (interference immunity), separate the sensor cables from both the power and high tension lines and insert it in a grounding metal raceway. Moreover it is advisable to connect the sensor directly to the supply source and not to other devices. To extend the supply and output cables, it is necessary to use a cable having conductors with a minimum size of 1 mm². The maximum length of extension is 100 m (this value is referred to a minimum tension and power supply at the load of 100 mA). In industrial environments, we recommend to use shielded cables in order to prevent possible disturbances on the devices caused by electromagnetic fields induced. Do not expose sensor head to hot water > 50 °C, water steam, acids or solvents. Clean the active face of the sensor with a wet cloth and then dry it.

voxin tech.

www.voxintech.com
e-mail : info@voxintech.com
MADE IN FRANCE



WARNING These products are NOT safety sensors and are NOT suitable for use in personal safety application